

Equalizer / Amplifier

Model No.: **PEQ-50P**

PowerAcoustik

POLARITY WARNING

This car audio product is designed to operate on your standard 12 VOLT NEGATIVE GROUND automobile electrical system. If your car's electrical system is something other than 12 VOLT NEGATIVE GROUND, additional equipment may be required in order to operate this unit.

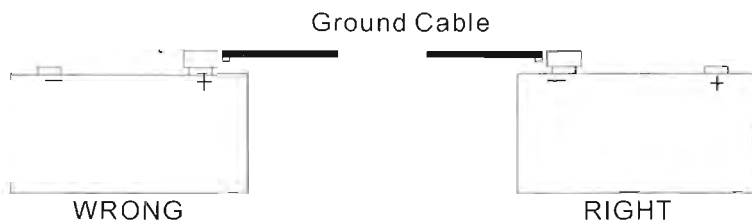


Fig. 1

CAUTION!

Your radio may have what is commonly referred to as "floating-ground" speaker outputs. If this is the case, please refer to the "INPUT CONNECTION" section under "floating ground". The most common floating-ground radios are:

1. Factory provided radio(except Ford).
2. High-power radio.

If you are unsure of whether or not your radio has a floating ground, please call the manufacturer of the radio or the automobile dealer to ascertain the information.

Be sure to follow the instructions contained in this manual in order to avoid damage to existing audio components or your new POWER ACOUSTIK component.

INTRODUCTION

Thank you for your purchase of this POWER ACOUSTIK car stereo component. It has been designed to give you many hours of listening enjoyment at minimal cost. We at POWER ACOUSTIK sincerely hope you enjoy your new POWER ACOUSTIK car stereo component.

FEATURES

- * High or low level inputs: if your car radio is not equipped with pre-amp level outputs, you may connect the speaker level outputs to this equalizer. Please follow the appropriate directions carefully.
- * 7 slide controls allow you to adjust the output frequency response to suit your personal tastes.
- * 10 LED indicators, for both the left and right stereo channels show peak power level output.
- * Fader control allows shifting of the audio between the front and rear speakers.
- * Power button turns the equalizer / amplifier on and off. In the "off" position, audio is passed directly through from the high level inputs.
- * RCA pre-amp input jack for low level input. May be used for additional CD input.
- * Speaker short protection.

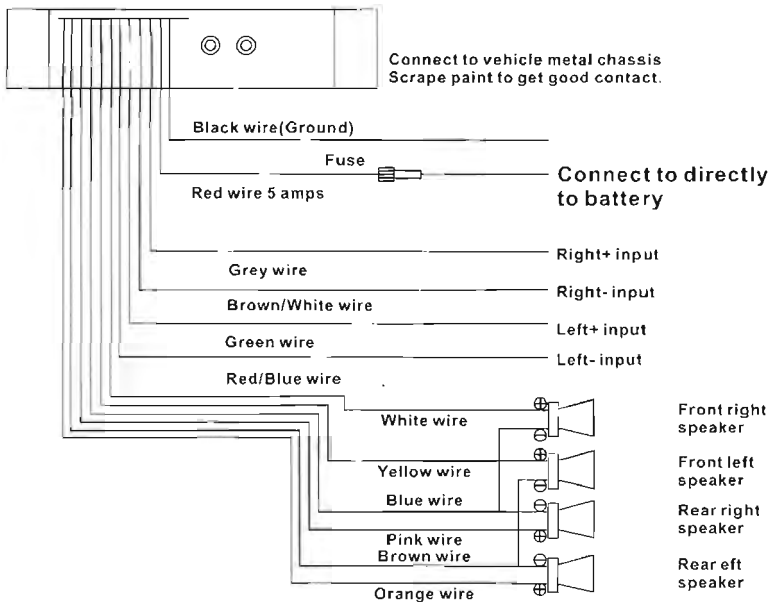
INSTALLATION LOCATIONS

IN-DASH: This unit is a standard 1/2 DIN size. In some vehicles, it may be installed in the factory provided location near an aftermarket radio. This type of installation, however, will probably require an installation kit. Installation kits are available from most car stereo dealers or installation facilities.

UNDER--DASH: This unit may be installed in any convenient location under the dash by using the "L" brackets supplied with the unit.

EQUALIZER (Rear view)

Fig. 2



RADIO OUTPUT

EQUALIZER INPUT

Right Speaker Positive (R+)	Gray
Left Speaker Positive (L+)	Green
Right Speaker Negative (R-)	Brown & White
Left Speaker Negative (L-)	Red & Blue

NOTE : If radio has only one negative (ground) wire, connect both the Brown/White and Red/Blue wires to it.

2. All Negative output wires from the radio **MUST** be left disconnected. Be sure to cover any exposed wires.

CAUTION! : GROUNDING "FLOATING - GROUND" NEGATIVE OUTPUTS CAN DAMAGE YOUR RADIO.

*HIGH POWER FACTORY RADIO WITH FLOATING GROUND AND HIGH - LEVEL OUTPUTS
(4 - channel radio, 2 Channels Shown)*

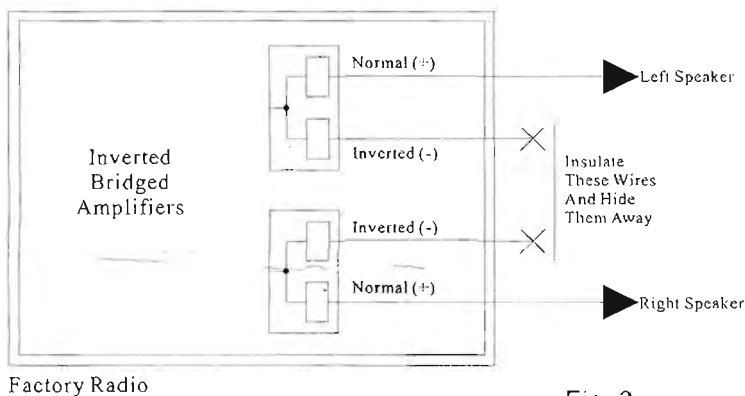


Fig. 3

B. LOW (PRE-AMP) LEVEL INPUT

If your radio has RCA Pre-amp output jacks, you may simply connect a "patch cord" between the radio "pre - amp output" and the equalizer "aux input". Using this method, the "speaker - level input" connections are not needed. The "By-Pass" Feature will not work when using this method.

INPUT CONNECTIONS (Connection from radio output to equalizer input)

NOTE : SPEAKERS SHOULD BE DISCONNECTED FROM THE RADIO AND CONNECTED TO THE EQUALIZER ONLY.

A. FOUR SPEAKER CONNECTION:

SPEAKER	EQUALIZER
Right Front Positive (+).....	White
Right Rear Positive (+).....	Pink
Right Rear Negative (-).....	Blue
Left Front Positive (+).....	Yellow
Left Rear Positive (+).....	orange
Left-Rear Negative (-).....	Brown

B. TWO SPEAKER CONNECTION:

SPEAKER	EQUALIZER
Right Speaker Positive (+).....	Pink and white
Right Speaker Negative (-).....	Blue
Left Speaker Positive (+).....	Yellow and orange
Left Speaker Negative (-).....	Brown

CAUTION! DO NOT GROUND OR SHORT - CIRCUIT ANY SPEAKER LEADS. DOING SO WILL CAUSE A MALFUNCTION AND POSSIBLE DAMAGE TO YOUR NEW EQUALIZER.

FOUR SPEAKER CONNECTION

TWO SPEAKER CONNECTION

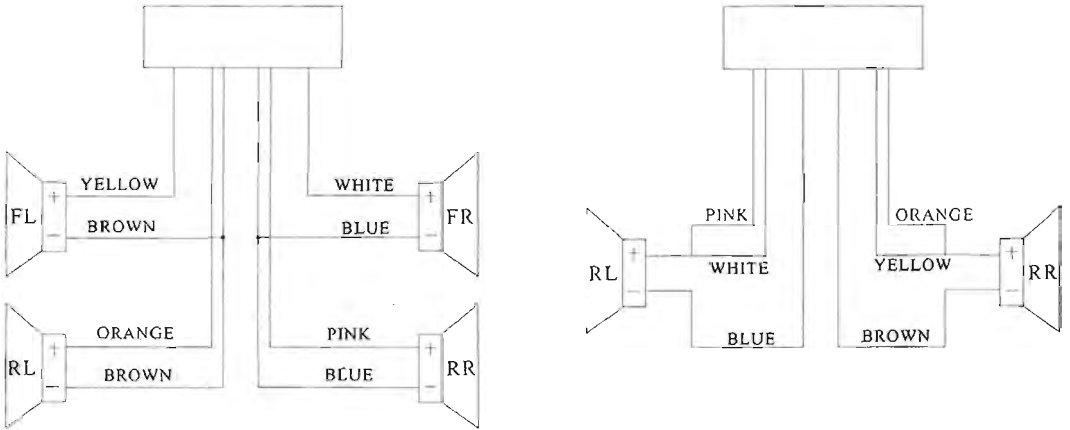


Fig. 4

POWER AND GROUND CONNECTIONS

Connect the Black Ground wire from the equalizer to a clean metal part of the car chassis or to the negative (-) terminal of the car battery. It is important that a good connection be made here, as poor sound reproduction may result from a poor ground connection.

With the equalizer power switch in the "off" position, connect the Red wire to the radio system power(+)lead or to the positive (+)terminal of the car battery.

OPERATION

1. FADER CONTROL

When four speaker are connected, tuning the knob will shift the audio between the front and rear speaker.

2. POWER SWITCH

When switched "off", the speaker - level output of the radio will "by-pass" the equalizer and go directly to the speakers. The "By-Pass" feature does not work when pre-amp level inputs are used.

3. OUTPUT LEVEL METER

These LED indicators show approximate power output for both the left and right channels.

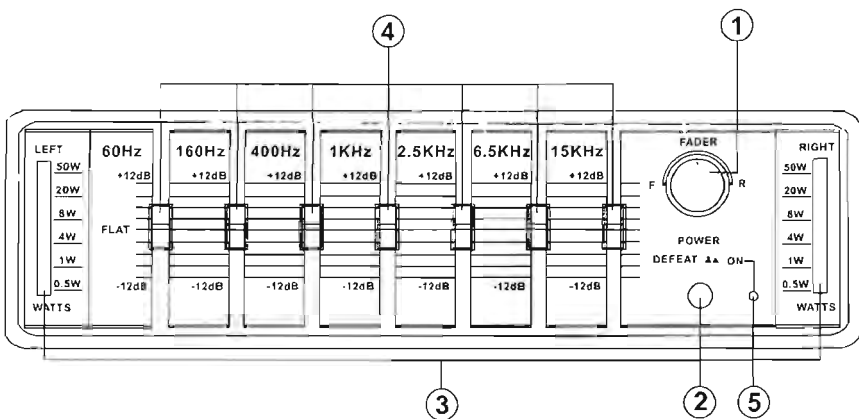
4. EQUALIZER FREQUENCY ADJUSTMENTS

These 7 slide controls allow you to contour the music to suit your personal tastes.

5. POWER INDICATOR

This LED is lit when the unit is turned on.

FRONT PANEL CONTROLS



SPECIFICATIONS

Power Source.....	DC 11 - 16 Volts
Polarity.....	Negative Ground
Power Output.....	100 Watts (50 + 50) Maximum 80 Watts (40 ÷ 40) @ 10% THD
Speaker Impedance	4 ohms Minimum
Frequency Response	20 - 20 KHz @ +/- 3dB
Input Signal Voltage.....	5.0 V (High)/500 mV (Low)
S/N Ratio.....	60 dB @ 1 KHz
Channel Separation.....	50 dB @ 1 KHz
Dimensions.....	7.0" (W) x 0.98" (H) x 5.12" (D)
Net Weight.....	1.54 lbs.

Due to our continuing efforts towards product improvement, the above specifications are subject to change without notice.